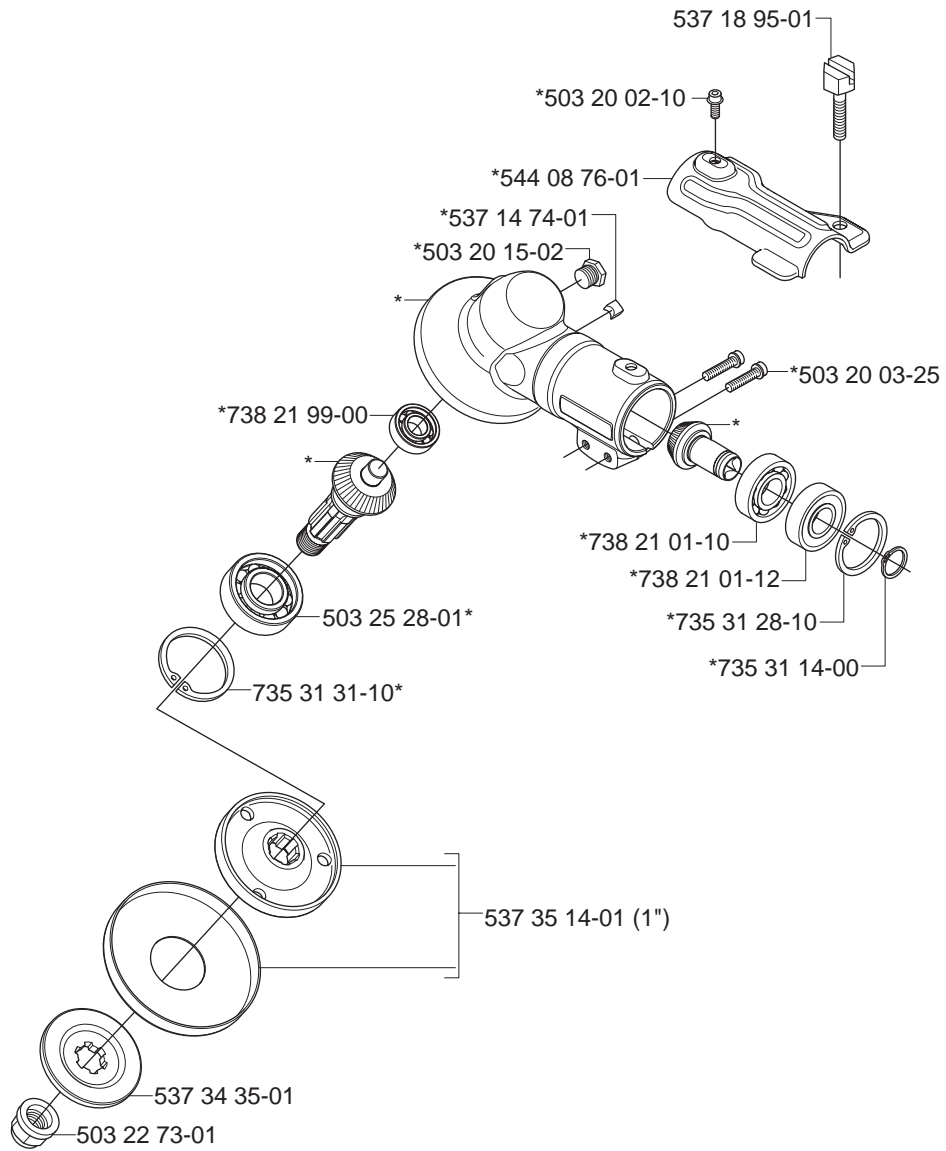
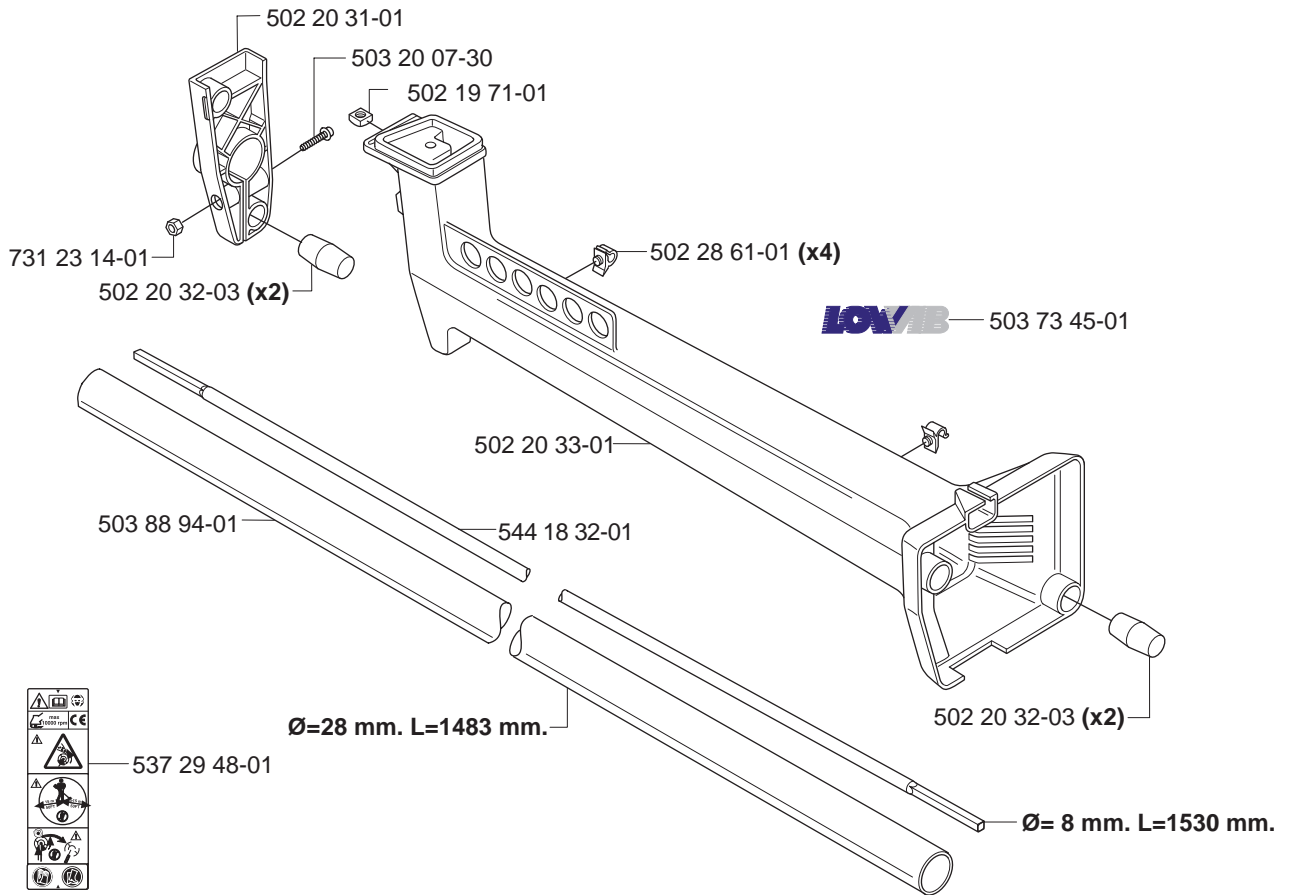


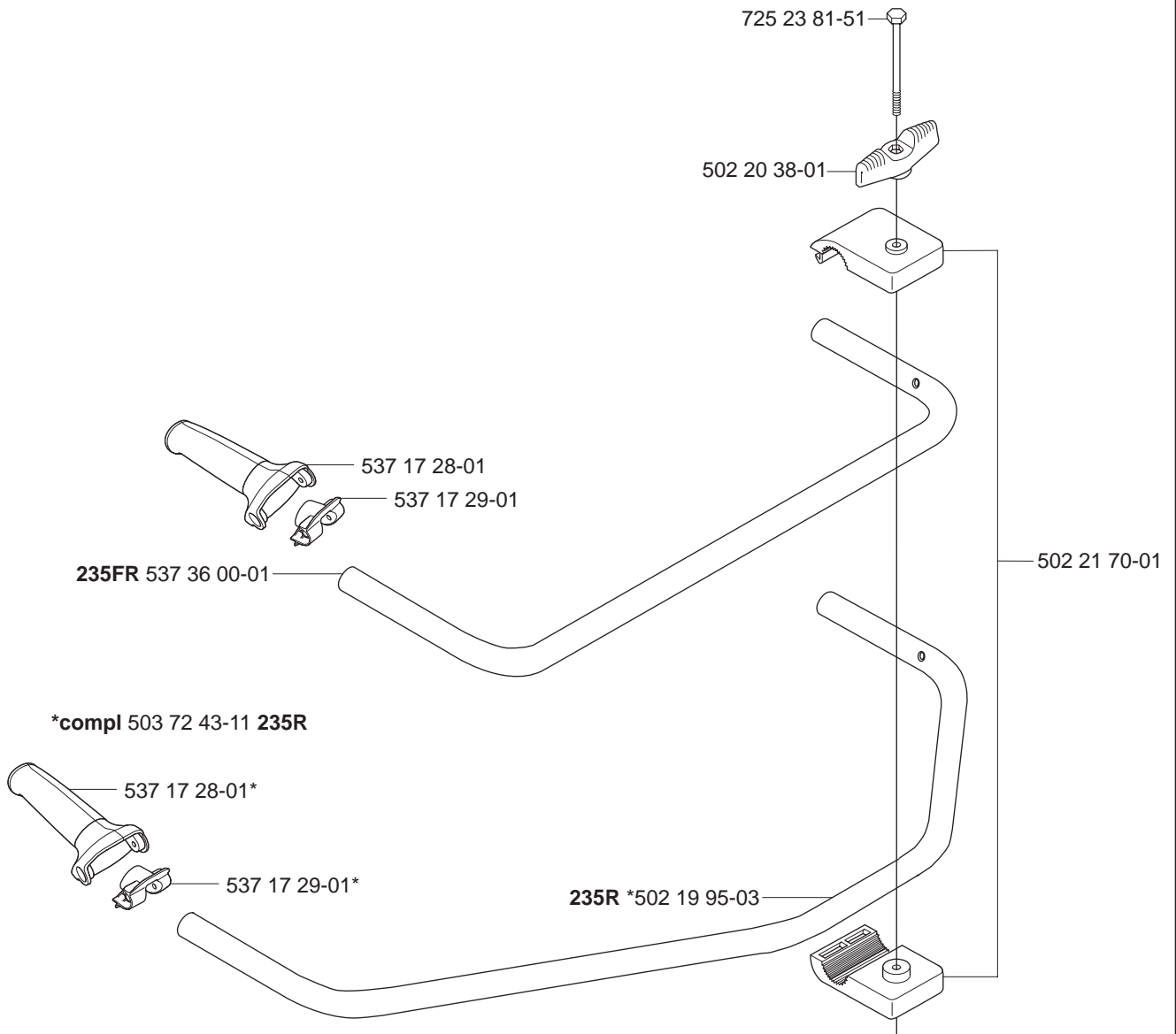
A 235FR, 235R
*compl 544 21 64-01



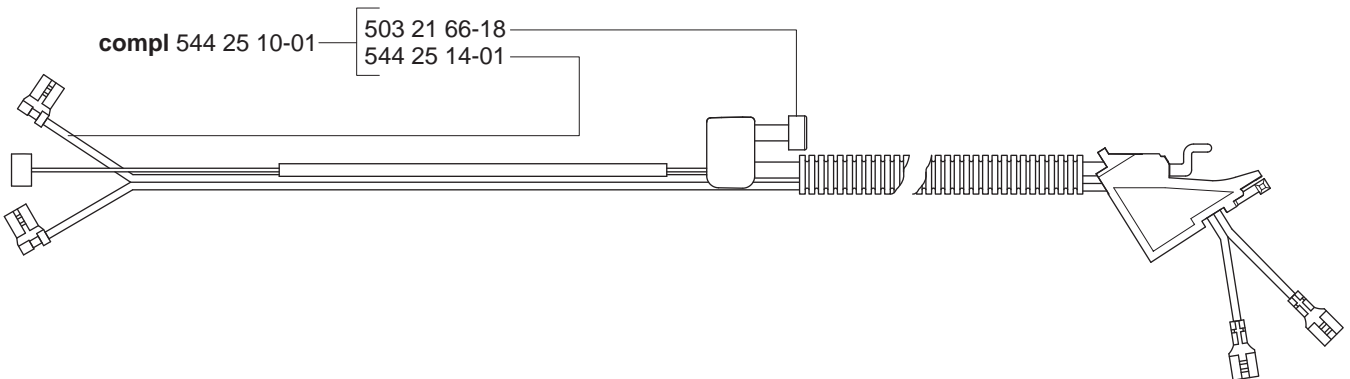
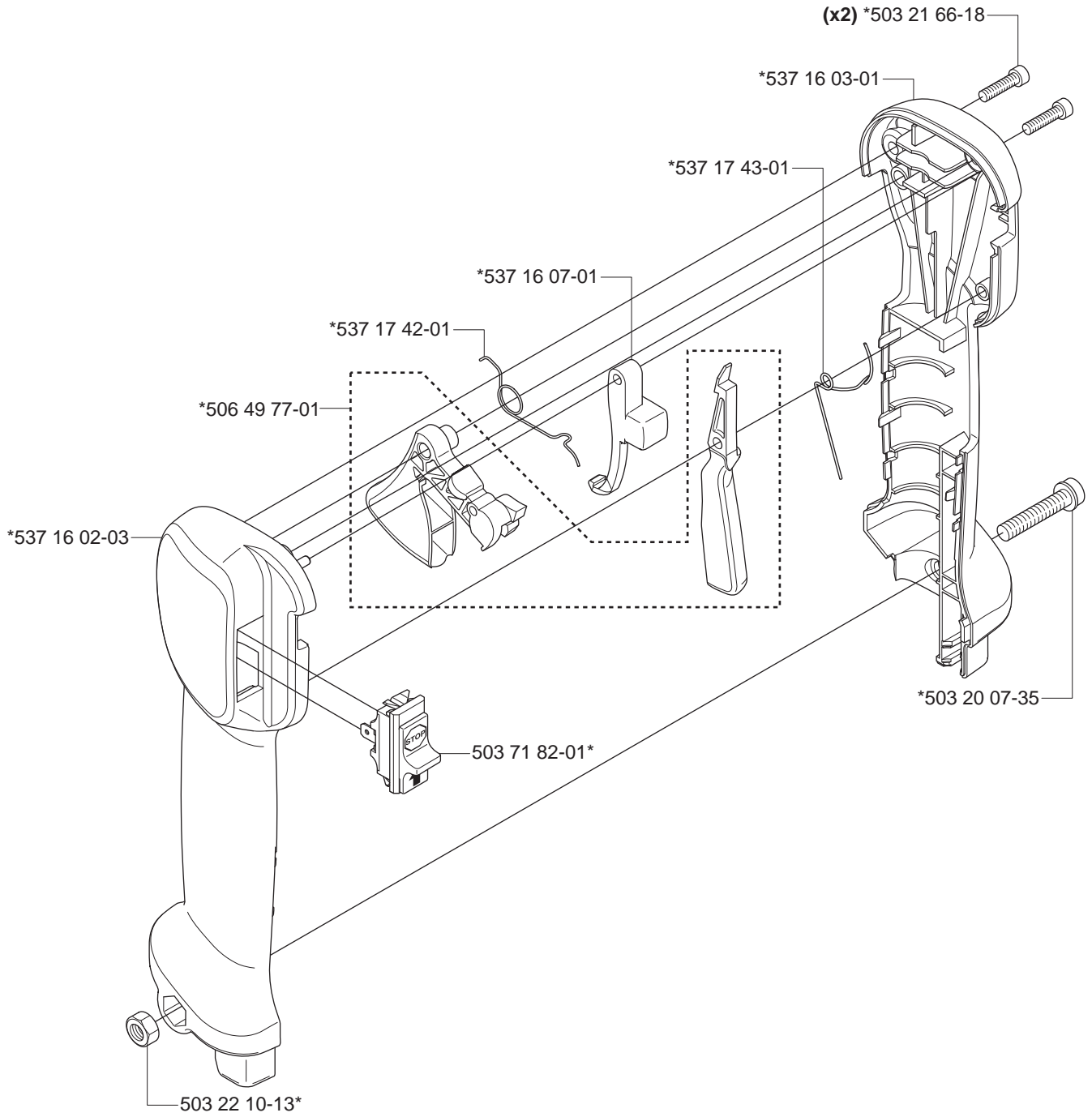
B 235FR, 235R



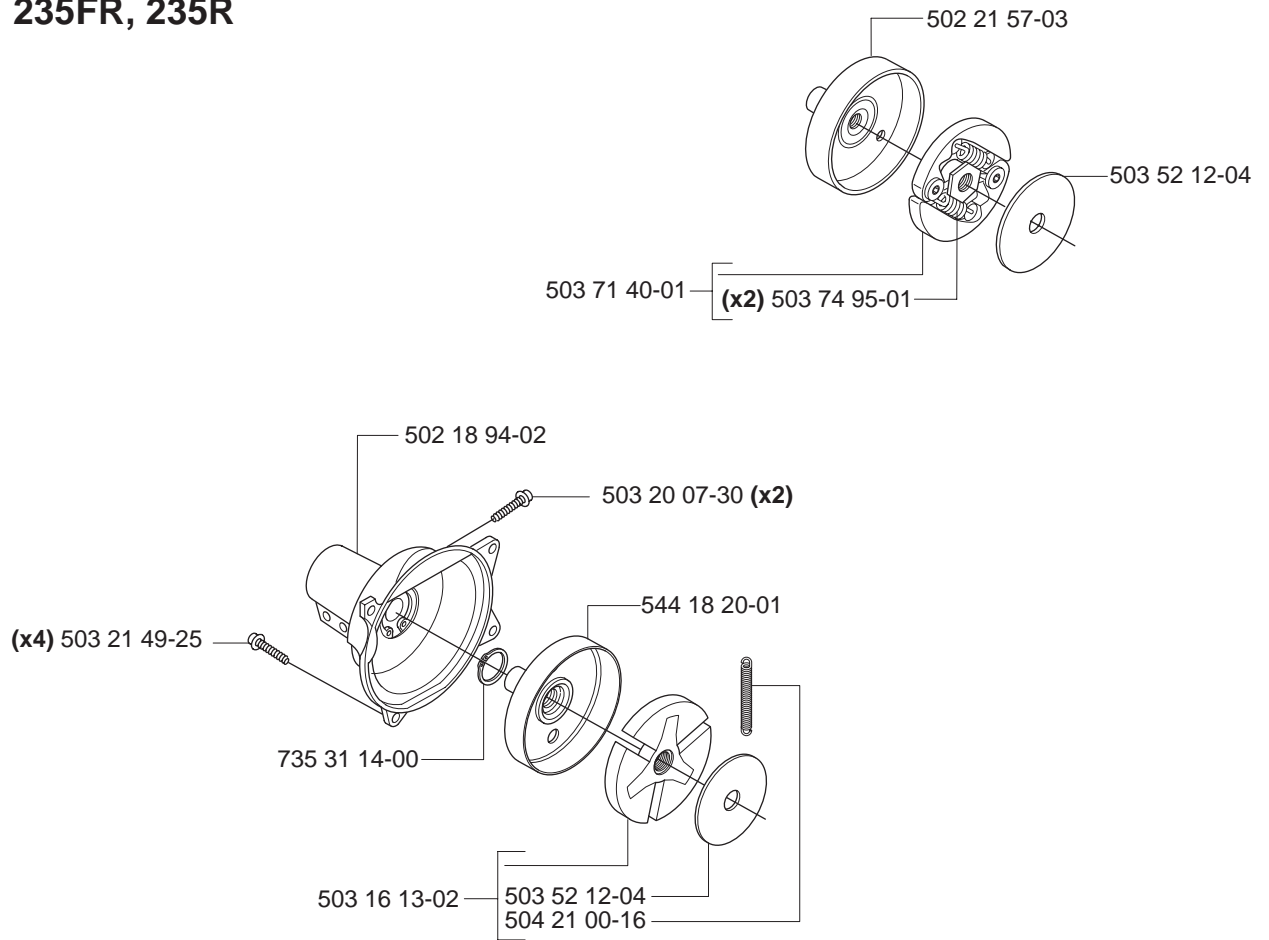
C 235FR, 235R



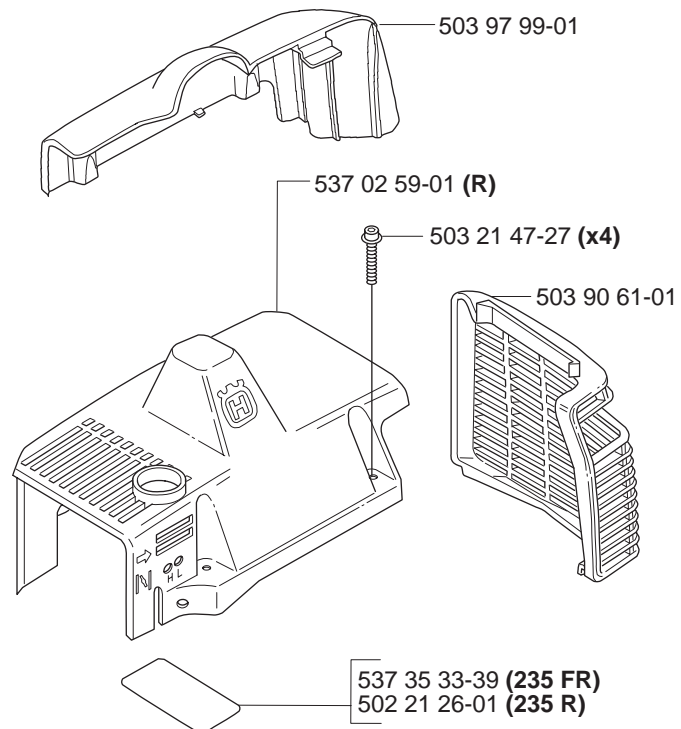
D 235FR, 235R
*compl 537 18 35-07

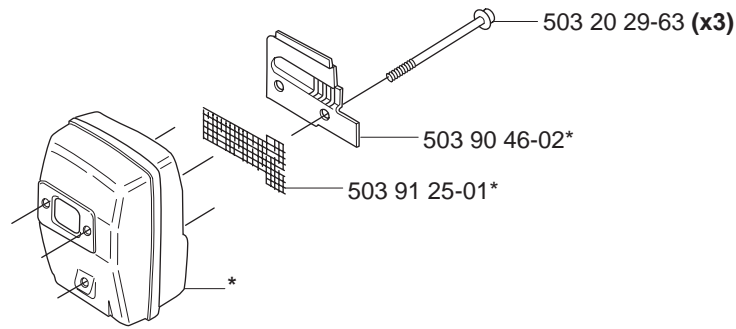
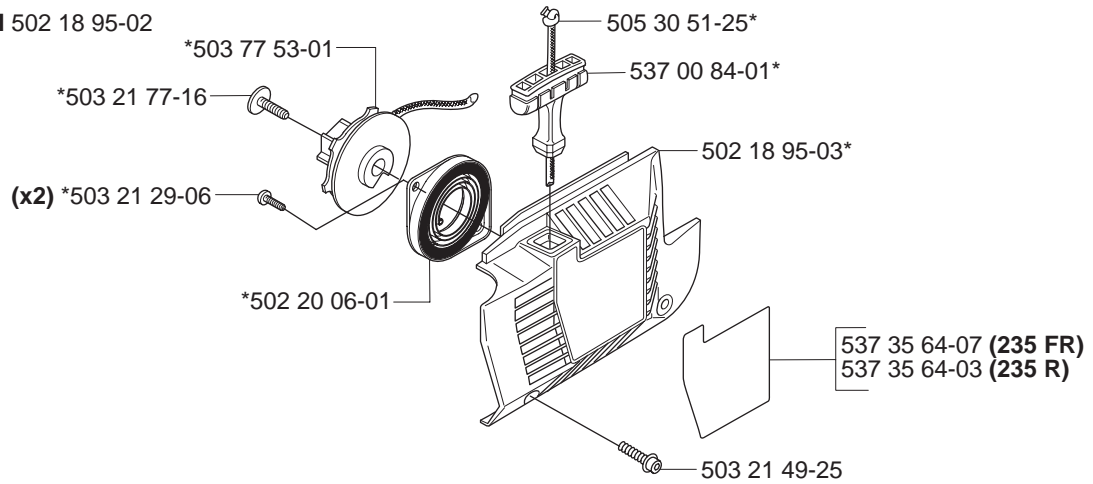
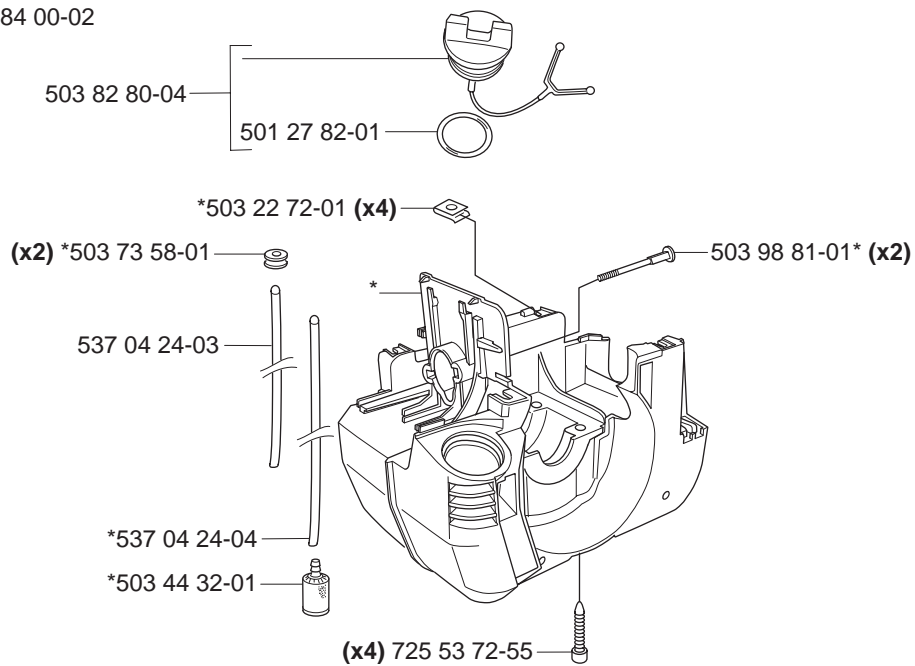
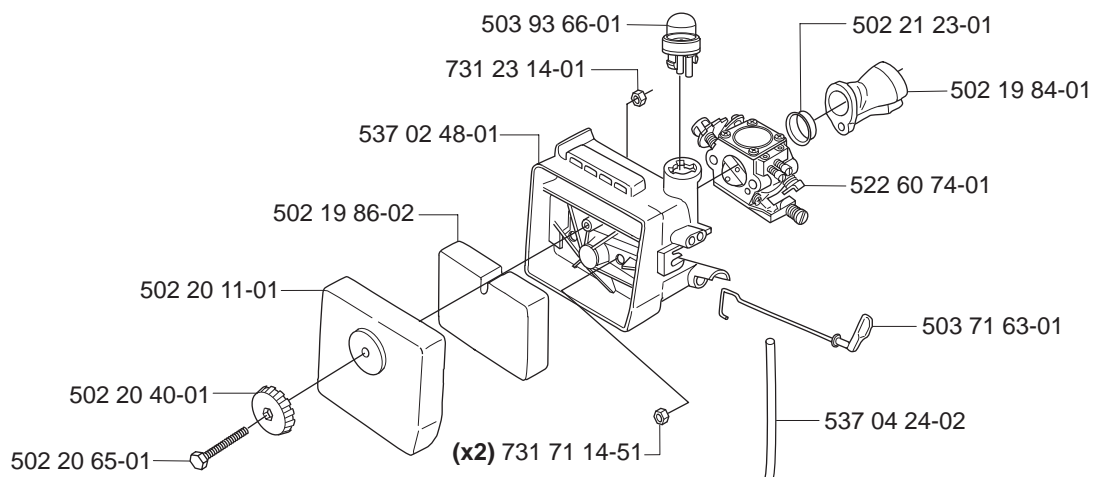


G 235FR, 235R

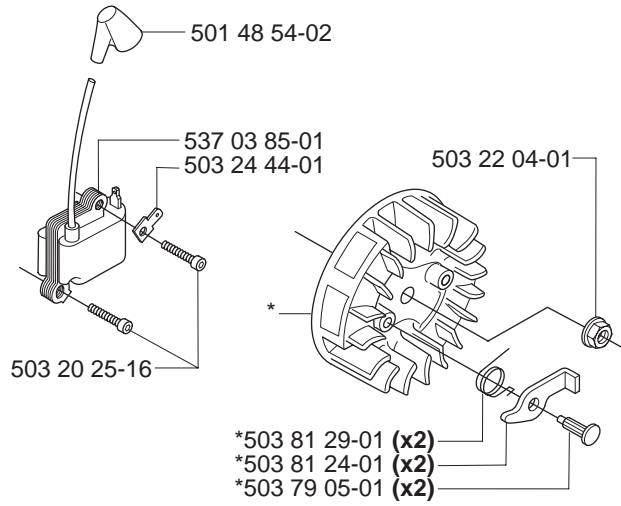


H

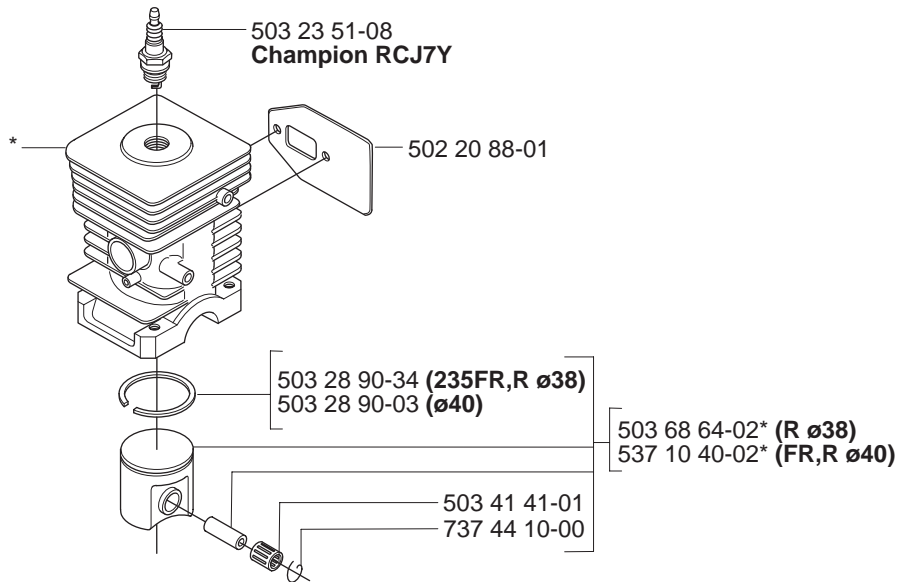


J***compl 503 90 47-02****K*****compl 502 18 95-02****L*****compl 503 84 00-02****M**

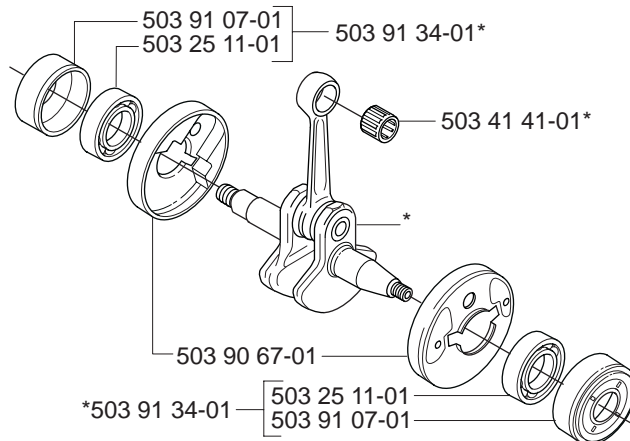
N *compl 503 79 06-01

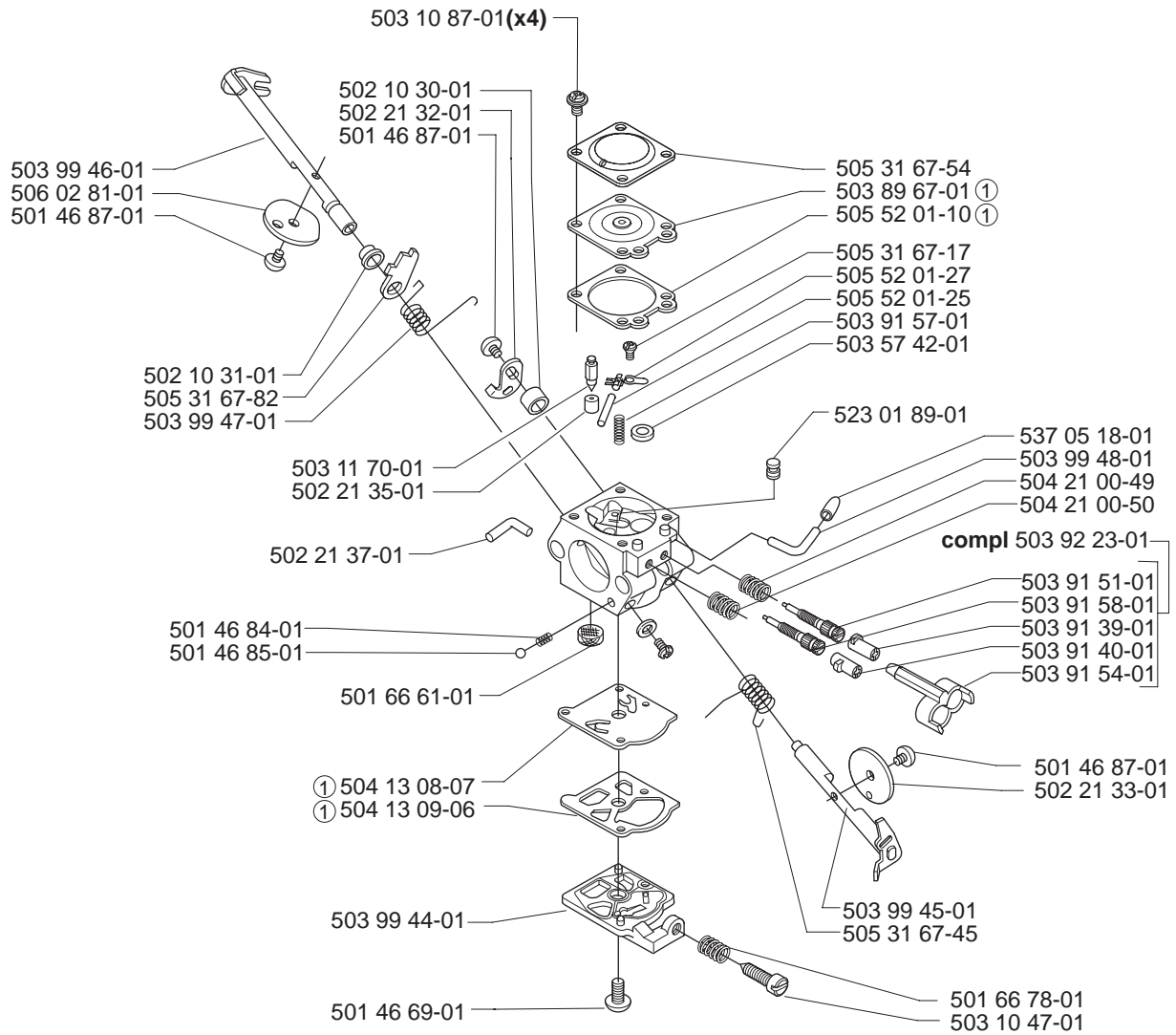


P *compl 537 10 41-01 (R,FR ø40)



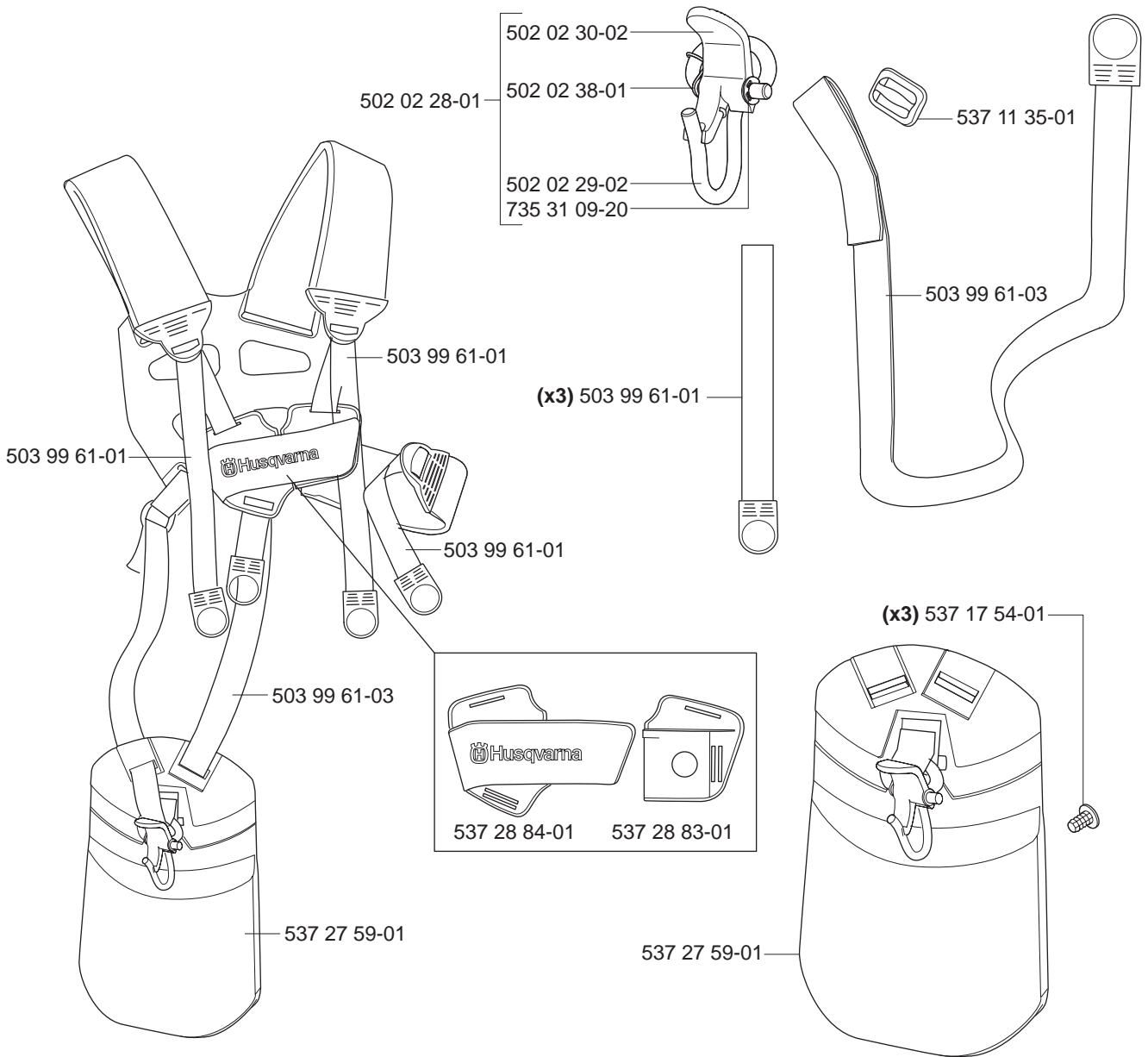
Q *compl 502 21 28-04





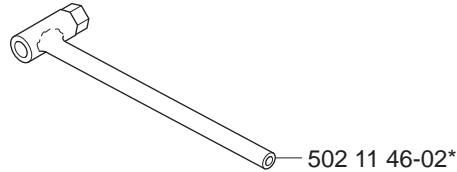
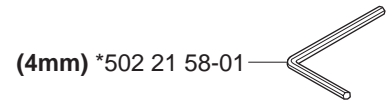
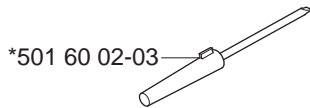
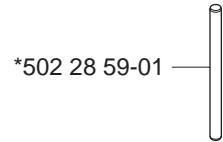
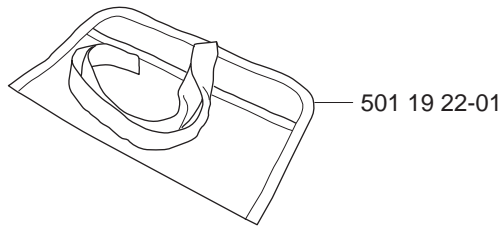
- ① 530 03 51-73
Set of gaskets
Dichtungssatz
Jeu de joints
Juego de juntas
Packningssats

S Duo Balance
compl 537 27 57-01
compl 537 27 57-03 US

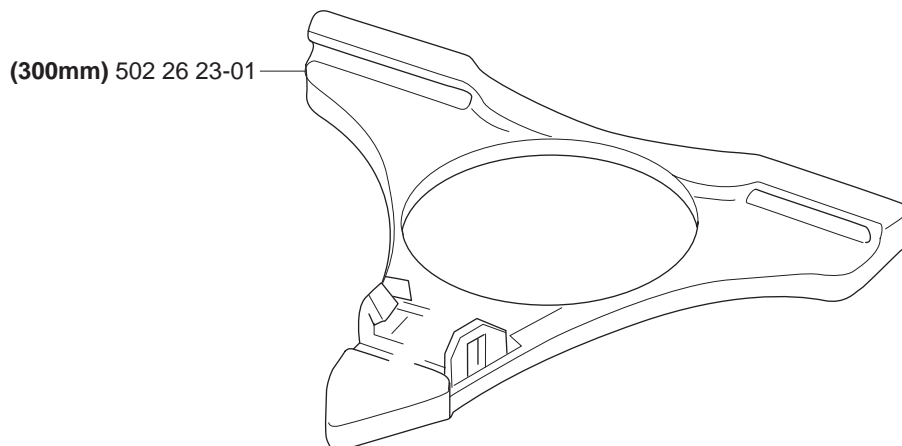
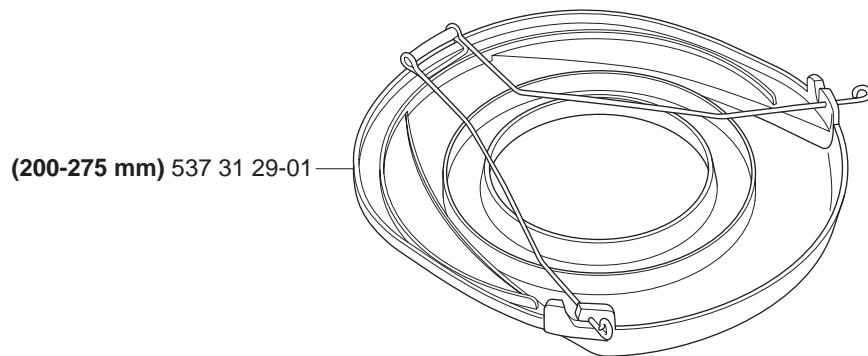
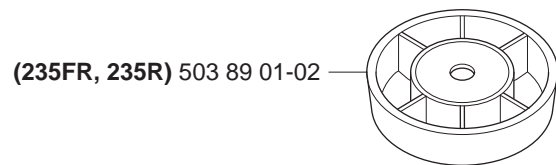
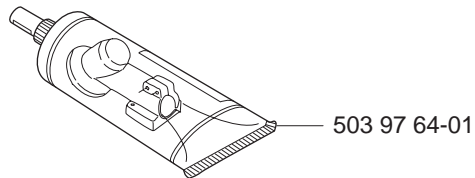
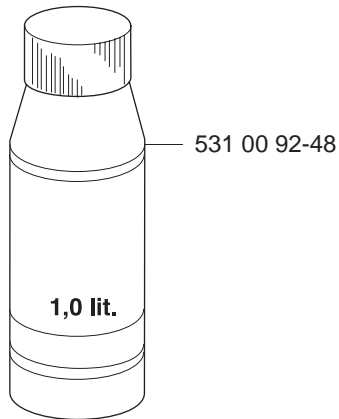


T Accessories
Zubehöre
Accessoires
Acessorios
Tillbehör

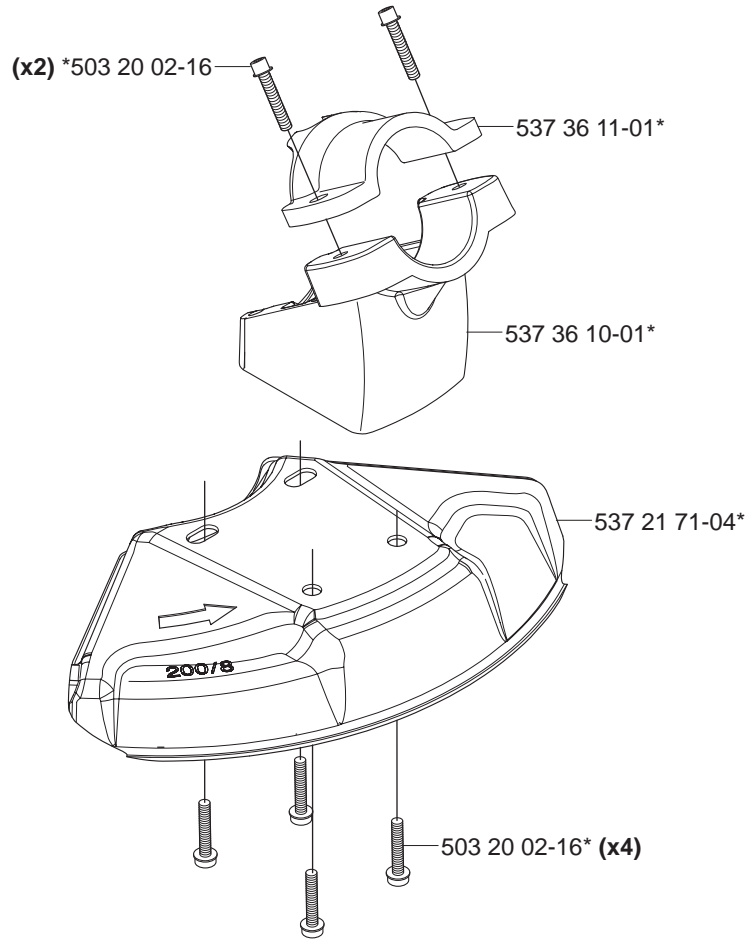
*compl 502 21 60-14



Oil Airfilter
Öl Luftfilter
Aceite Filtro Air
Huile Filtre air
Olja Luftfilter



U 235FR, 235R
*compl 537 38 77-01



U 235FR, 235R
*compl 537 33 16-01

